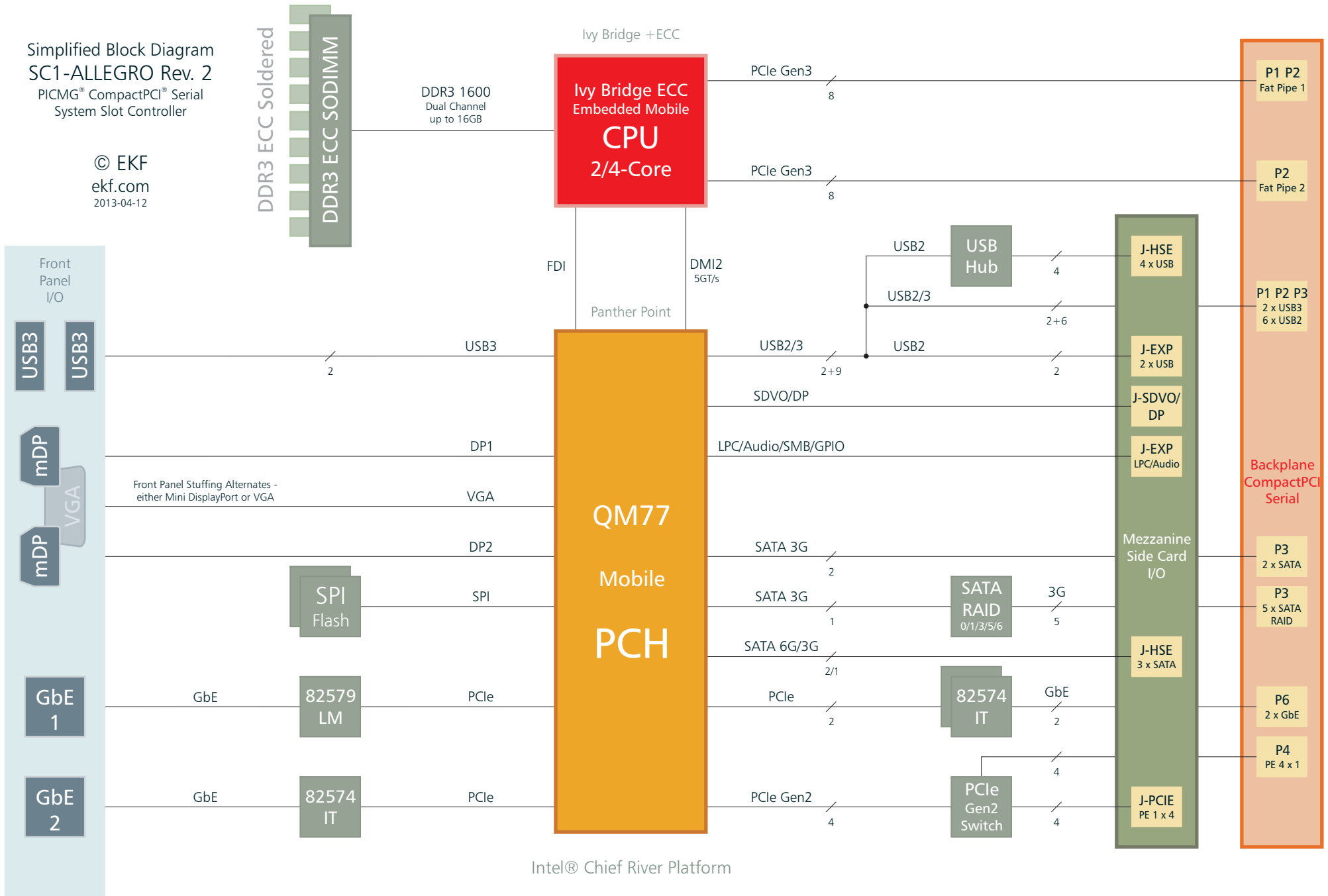


Simplified Block Diagram
 SC1-ALLEGRO Rev. 2
 PICMG® CompactPCI® Serial
 System Slot Controller

© EKF
 ekf.com
 2013-04-12



Simplified Block Diagram
SC1-ALLEGRO
 PICMG® CompactPCI® Serial
 System Slot Controller

© EKF
 ekf.com
 2012-05-23

